

Mita 1P Tracklight without light source

Product description:

- Mita 1P tracklight is made in a stylish and timeless design, that can be used for instance in your home.
- Mita 1P tracklight is available with and without shade, incl. a universal adapter that fits the standard 1P track systems.
- Mita 1P tracklight comes also in black.



Technical data:

Dimensions: 1: Length 50 mm/Ø34 mm
2: Length 90 mm/Ø53 mm
3: Length 85 mm/Ø55 mm

Voltage: 220-240VAC 50 Hz

Approved light source: Max. 6W LED

Fitting: GU10

Adjustable: 90°

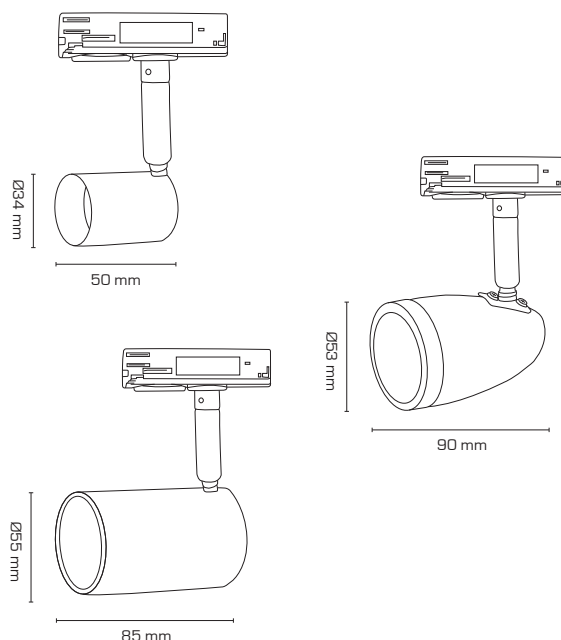
Rotation: 350°

Adapter: 1-Phase universal adapter

Protection: Class I

Material: Aluminium/Plastic

Approvals: LVD, RoHS, CE



Item no.:	EAN no.:	Description:	Color:	No.:
14001	5713080140010	Without shade	White	1
14004	5713080140041	With shade	White	2
14007	5713080140072	Round shade	White	3

